



The **INDUSTRIAL STRENGTH XL-8** features a specially designed ring closure system designed for tying products from as small as 1" to as large as 8" in diameter. The XL-8 is 100% air-powered and **automatically adjusts** to provide a secure tie.

XL-8 Air Ring Tyer

Genuine Plas-Ties' Twist Tie Material required for optimal performance

FEATURES:

:: Industrial-Grade:

Tackles high production warehouses with minimal resource consumption

:: Lean Manufacturing:

Self-Adjusting with large capacity spool for minimal material handling

:: Versatile:

Handles a variety of tying sizes at a single station

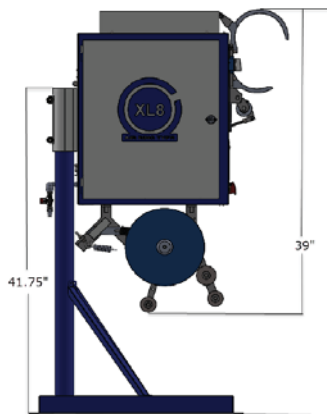
BENEFITS

- :: Durable, All-Metal Frame
- :: Stability Stand Included
- :: Ergonomic Benefits
- :: Self-Adjusting Tying Diameter
- :: Made in the U.S.A.

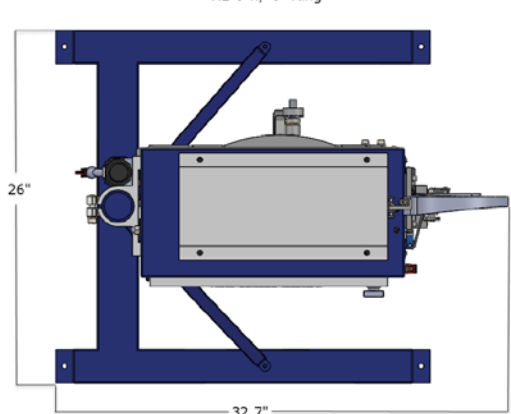
XL-8 SPECS

Capacity	Self Adjusting from 1" - 8"		
Recommended Spool	Exclusive Plas-Ties precision-wound, 4000' plastic 1/4" width, 24-ga, dbl wire centered		
Air Power	90-100 lbs PSI (clean, dry air from single designated air line)		
Weight (w/ stand)	200 lbs		
Ring Options	Max. 4"/6"/8"		
Additional Options	Table Assembly, Set of Casters, Foot Pedal Activator		
Cabinet	Height: 24"	Width: 10.25"	Depth: 19"
XL-8 (on stand)	Height: 52" (max)	Width: 26"	Depth: 32.7"

XL-8 w/ 6" Ring



XL-8 w/ 6" Ring



Clearance depth w/o table	Approximately 34"
Clearance depth w/ table	Approximately 40"
Clearance width to open	Approximately 36"

Applications:

- : Cords / Cables
- : Hoses / Tubing
- : Produce / Flowers
- : Sheeting
- : Rods / Coils
- : Textiles / Window Coverings

14272 Chambers Rd Tustin, CA 92780
(800) 854-0137 FAX: (714) 972-2978
www.plasties.com info@plasties.com